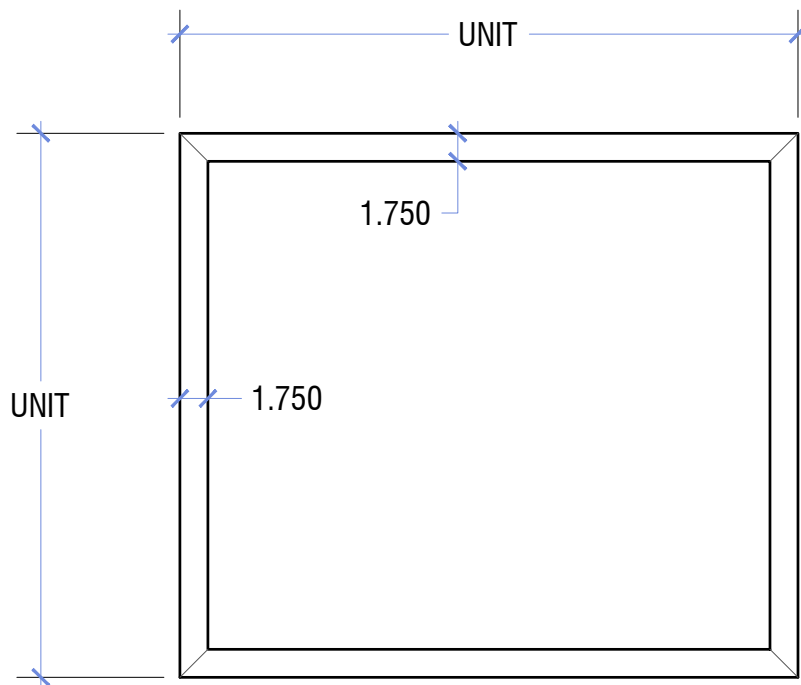




7463 Research Dr
Almont MI 48003
810-798-2817 ph
810-798-3814 fx

WINDOWS & DOORS

Custom Design • Restoration • Reproduction



Copyright 2016, Grabill Window & Doors, Inc.

1" = 1'-0"

1.75" ALUMINUM CLAD DIRECT SET ELEVATION

Grabill Architectural Drawings contain confidential and proprietary information and is for the sole use of the intended recipient(s).

Any unauthorized review, use, disclosure or distribution of these drawing (including attachments) is strictly prohibited.

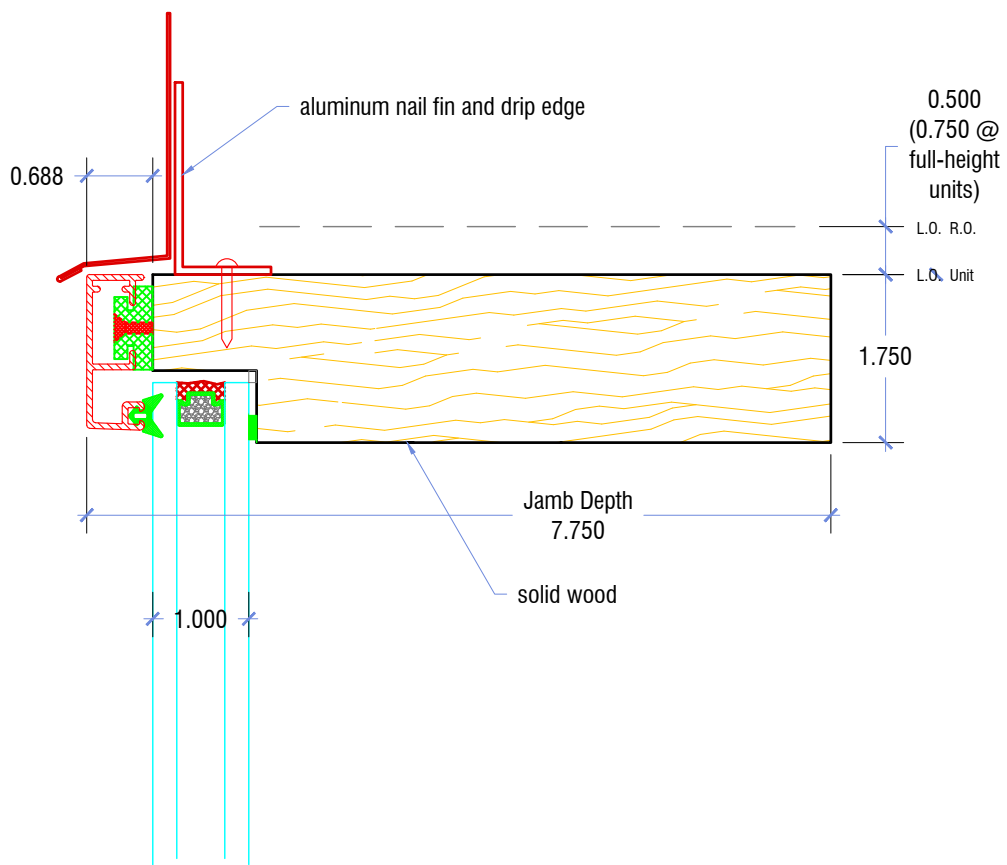
Sales Binder

www.grabillwindow.com



7463 Research Dr
Almont MI 48003
810-798-2817 ph
810-798-3814 fx

Custom Design • Restoration • Reproduction



Copyright 2016, Grabill Window & Doors, Inc.

6" = 1'-0"

1.75" ALUMINUM GLAD DIRECT SET HEAD

Sales Binder

www.grabillwindow.com

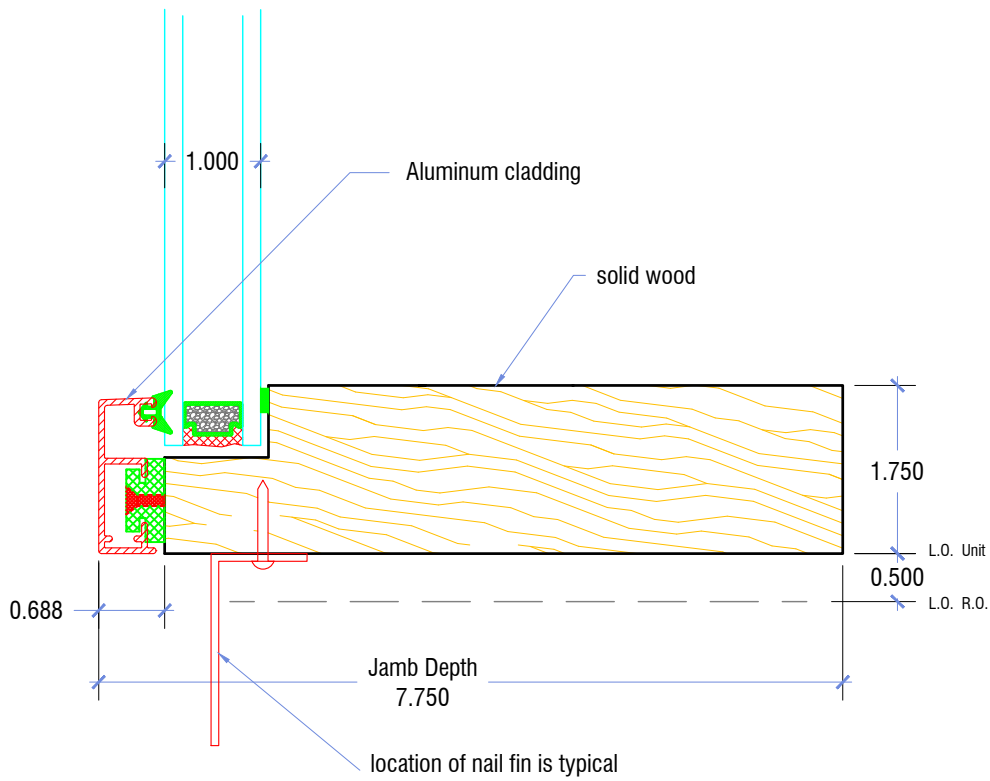
Grabill Architectural Drawings contain confidential and proprietary information and is for the sole use of the intended recipient(s).

Any unauthorized review, use, disclosure or distribution of these drawing (including attachments) is strictly prohibited.



7463 Research Dr
Almont MI 48003
810-798-2817 ph
810-798-3814 fx

Custom Design • Restoration • Reproduction



Copyright 2016, Grabill Window & Doors, Inc.

6" = 1'-0"

1.75" ALUMINUM CLAD DIRECT SET SILL/JAMB

Sales Binder

www.grabillwindow.com

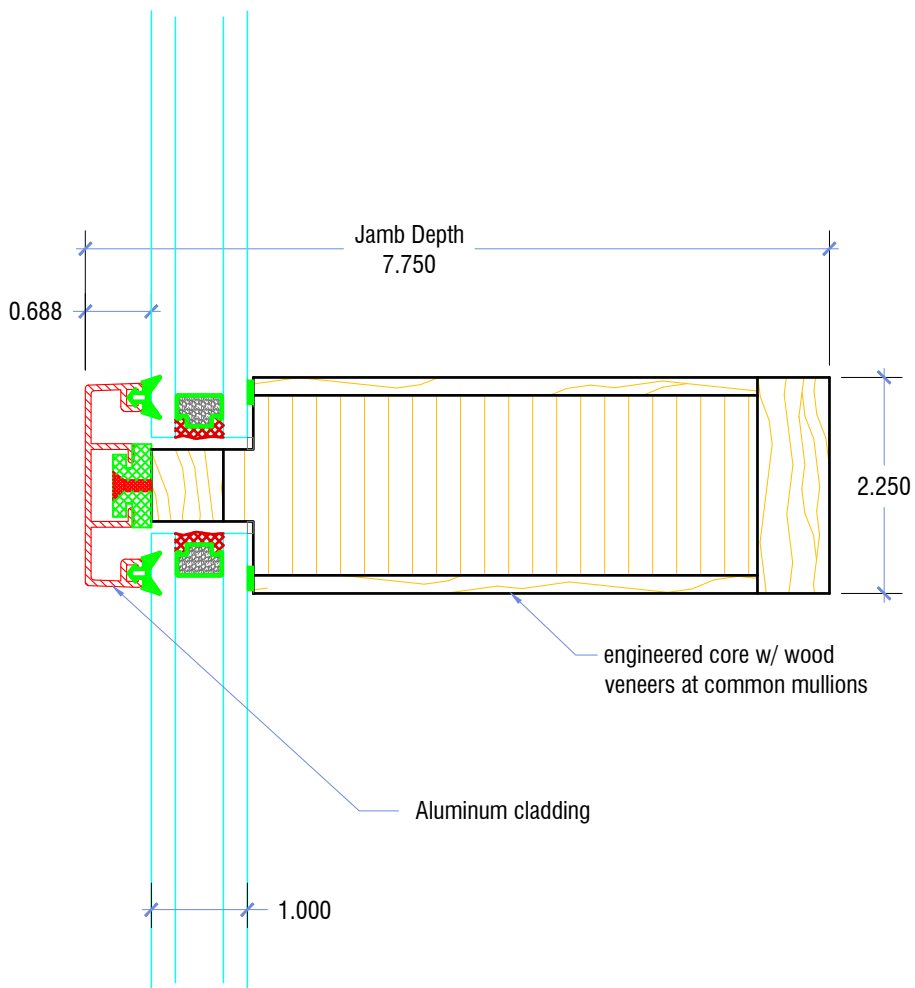
Grabill Architectural Drawings contain confidential and proprietary information and is for the sole use of the intended recipient(s).

Any unauthorized review, use, disclosure or distribution of these drawing (including attachments) is strictly prohibited.



7463 Research Dr
Almont MI 48003
810-798-2817 ph
810-798-3814 fx

Custom Design • Restoration • Reproduction



Copyright 2016, Grabill Window & Doors, Inc.

6" = 1'-0"

1.75" ALUMINUM GLAD DIRECT SET COMMON MULLION

Sales Binder

www.grabillwindow.com

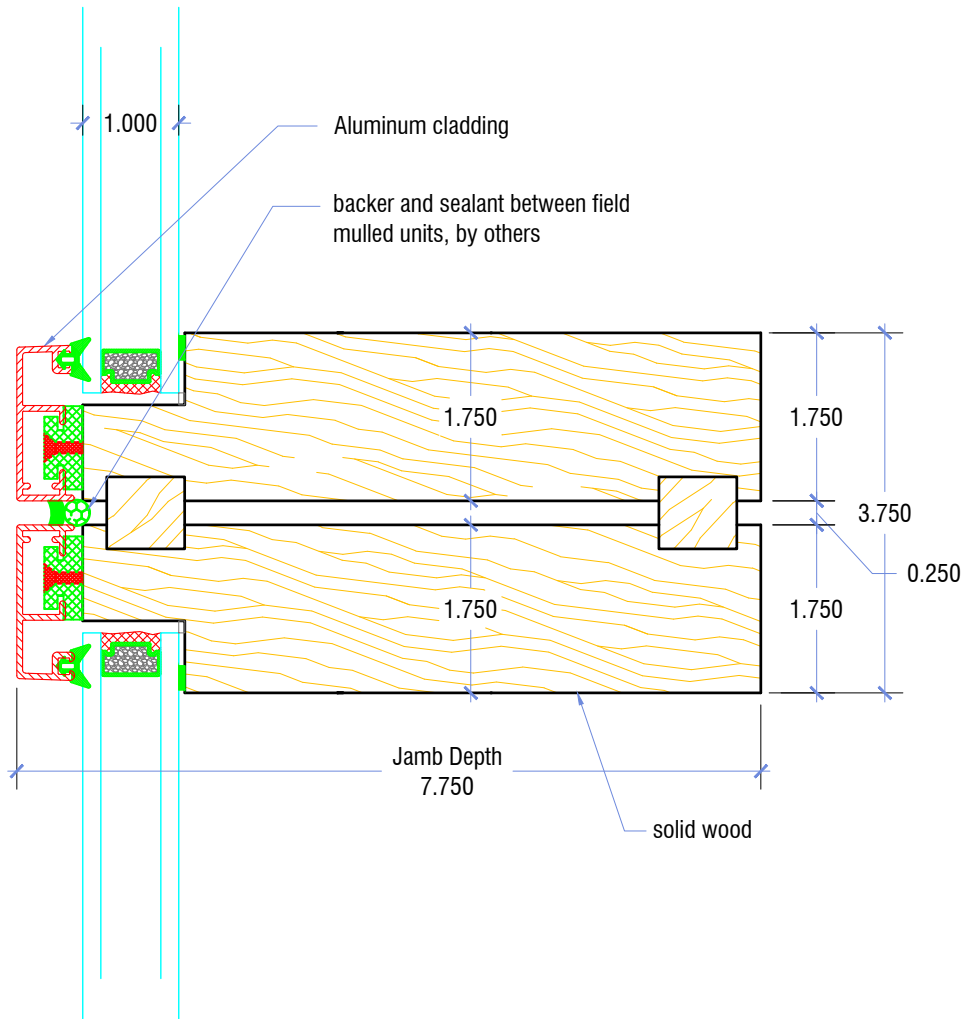
Grabill Architectural Drawings contain confidential and proprietary information and is for the sole use of the intended recipient(s).

Any unauthorized review, use, disclosure or distribution of these drawing (including attachments) is strictly prohibited.



7463 Research Dr
Almont MI 48003
810-798-2817 ph
810-798-3814 fx

Custom Design • Restoration • Reproduction



Copyright 2016, Grabill Window & Doors, Inc.

6" = 1'-0"

1.75" ALUMINUM CLAD DIRECT SET FIELD MULLION

Sales Binder

www.grabillwindow.com

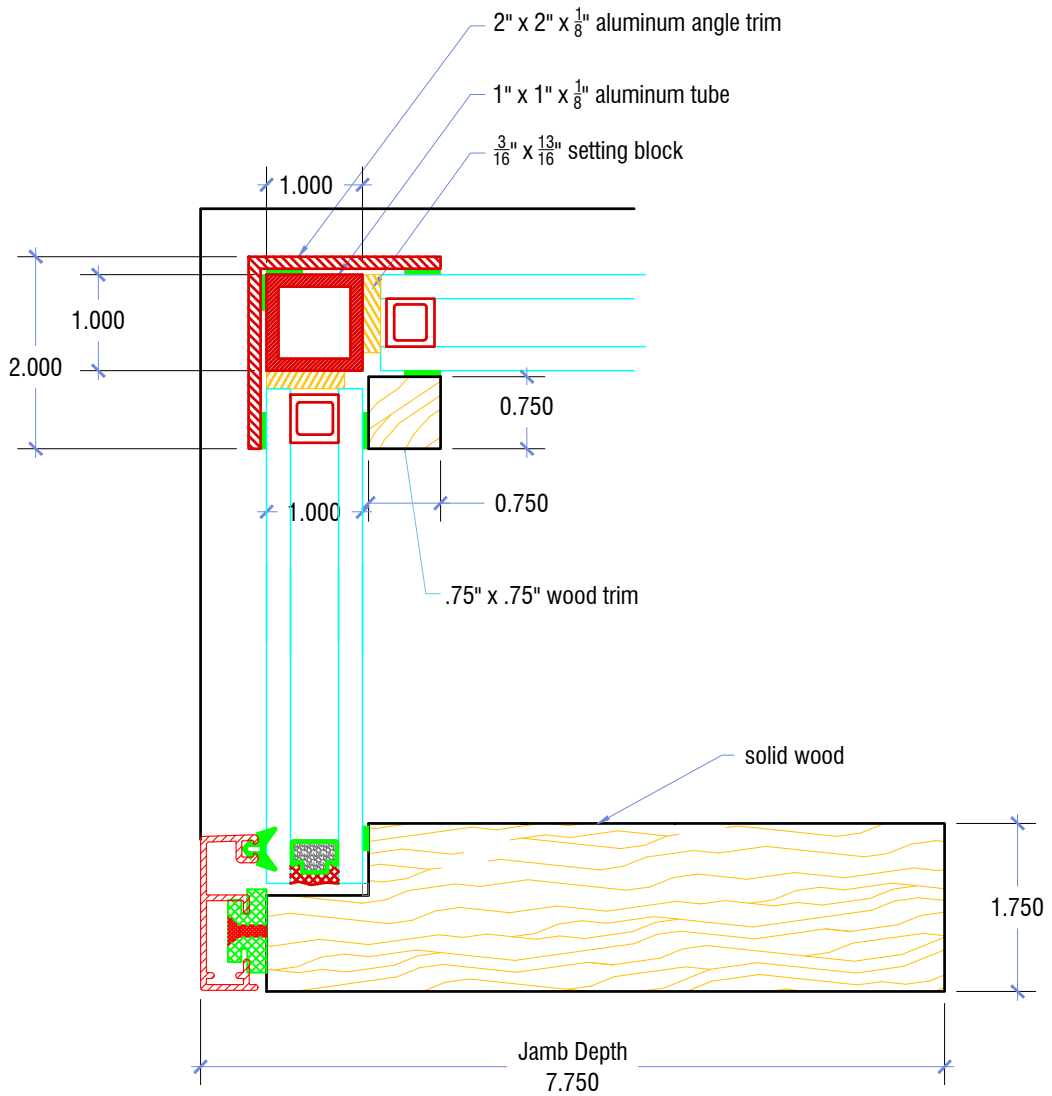
Grabill Architectural Drawings contain confidential and proprietary information and is for the sole use of the intended recipient(s).

Any unauthorized review, use, disclosure or distribution of these drawing (including attachments) is strictly prohibited.



7463 Research Dr
Almont MI 48003
810-798-2817 ph
810-798-3814 fx

Custom Design • Restoration • Reproduction



Copyright 2016, Grabill Window & Doors, Inc.

1.75" ALUMINUM CLAD MINIMAL CORNER DETAIL

Sales Binder

www.grabillwindow.com

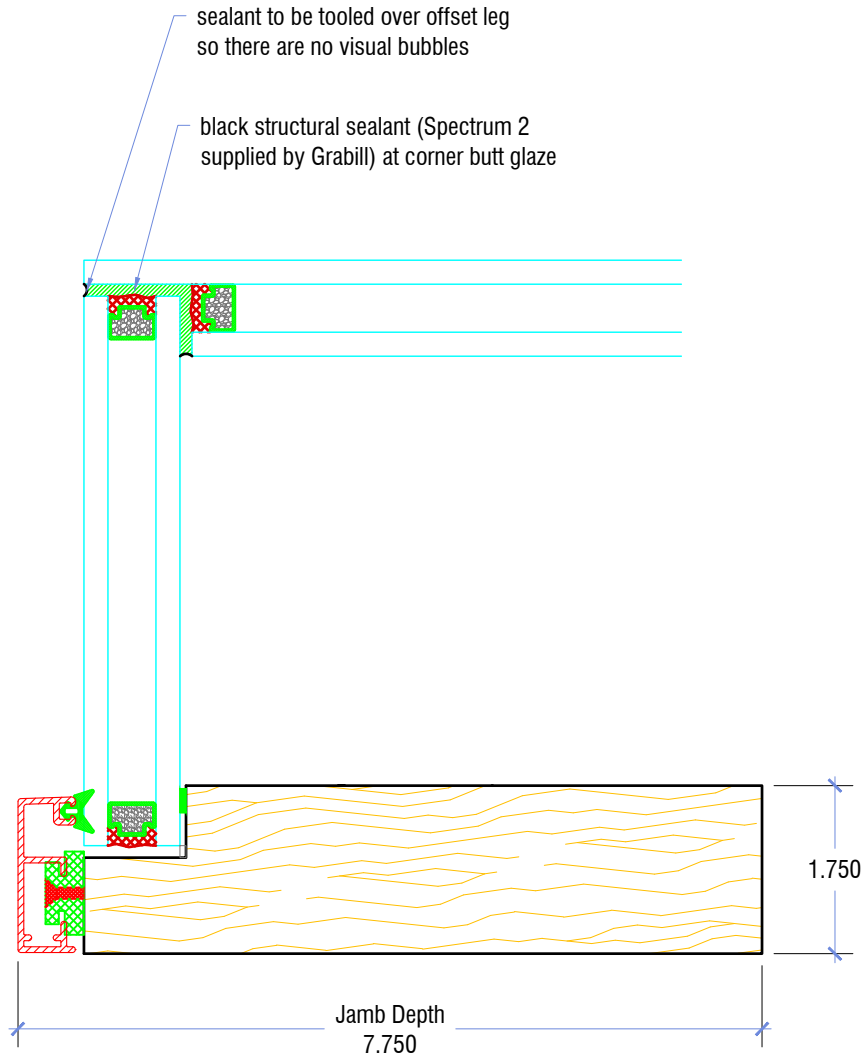
Grabill Architectural Drawings contain confidential and proprietary information and is for the sole use of the intended recipient(s).

Any unauthorized review, use, disclosure or distribution of these drawing (including attachments) is strictly prohibited.



7463 Research Dr
Almont MI 48003
810-798-2817 ph
810-798-3814 fx

Custom Design • Restoration • Reproduction



6" = 1'-0"

1.75" ALUMINUM CLAD OFFSET BUTT-GLAZED IG

Copyright 2016, Grabill Window & Doors, Inc.

Sales Binder

www.grabillwindow.com

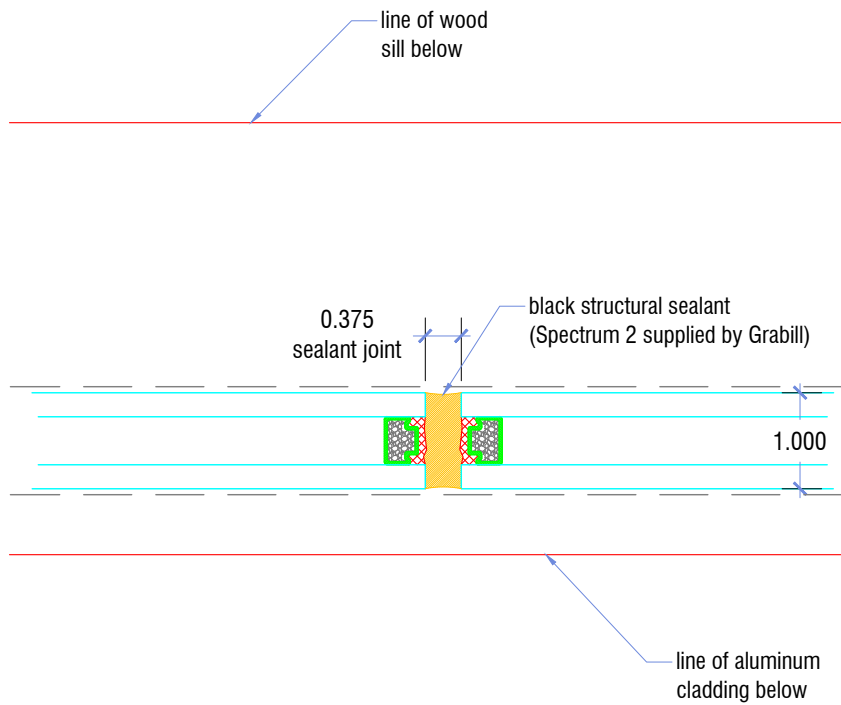
Grabill Architectural Drawings contain confidential and proprietary information and is for the sole use of the intended recipient(s).

Any unauthorized review, use, disclosure or distribution of these drawing (including attachments) is strictly prohibited.



7463 Research Dr
Almont MI 48003
810-798-2817 ph
810-798-3814 fx

Custom Design • Restoration • Reproduction



Copyright 2016, Grabill Window & Doors, Inc.

$$6'' = 1'-0''$$

1.75" ALUMINUM CLAD TYPICAL BUTT-GLAZED JOINT

Sales Binder

www.grabillwindow.com

Grabill Architectural Drawings contain confidential and proprietary information and is for the sole use of the intended recipient(s).

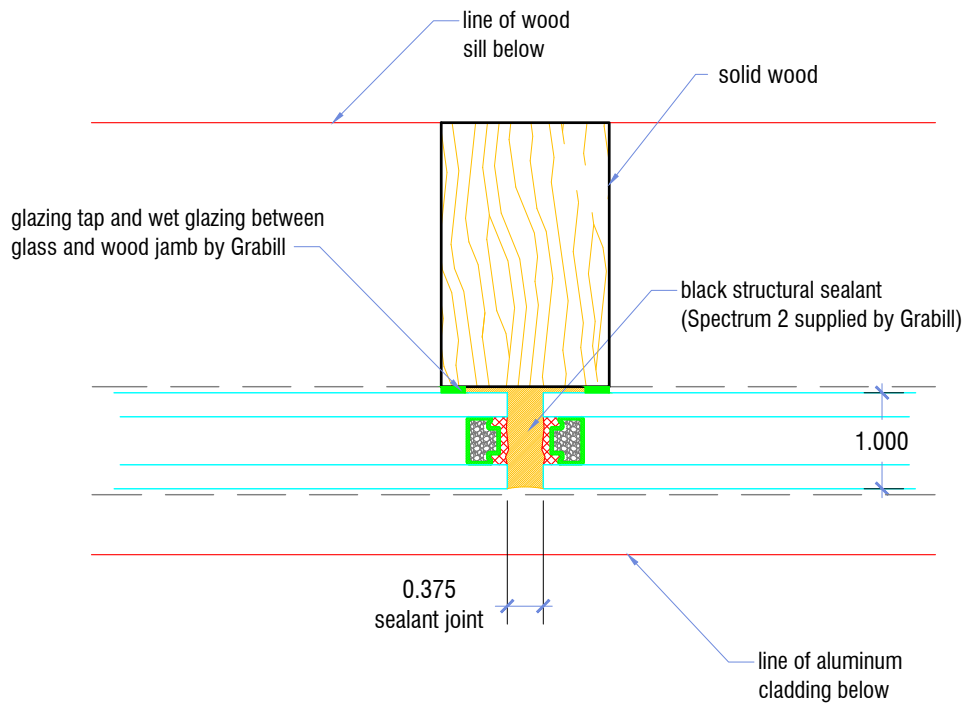
Any unauthorized review, use, disclosure or distribution of these drawing (including attachments) is strictly prohibited.



7463 Research Dr
 Almont MI 48003
 810-798-2817 ph
 810-798-3814 fx

WINDOWS & DOORS

Custom Design • Restoration • Reproduction



Copyright 2016, Grabill Window & Doors, Inc.

6" = 1'-0"

1.75" ALUMINUM GLAD TYPICAL BUTT-GLAZED JOINT WITH INTERIOR JAMB

Grabill Architectural Drawings contain confidential and proprietary information and is for the sole use of the intended recipient(s).

Any unauthorized review, use, disclosure or distribution of these drawing (including attachments) is strictly prohibited.

Sales Binder

www.grabillwindow.com