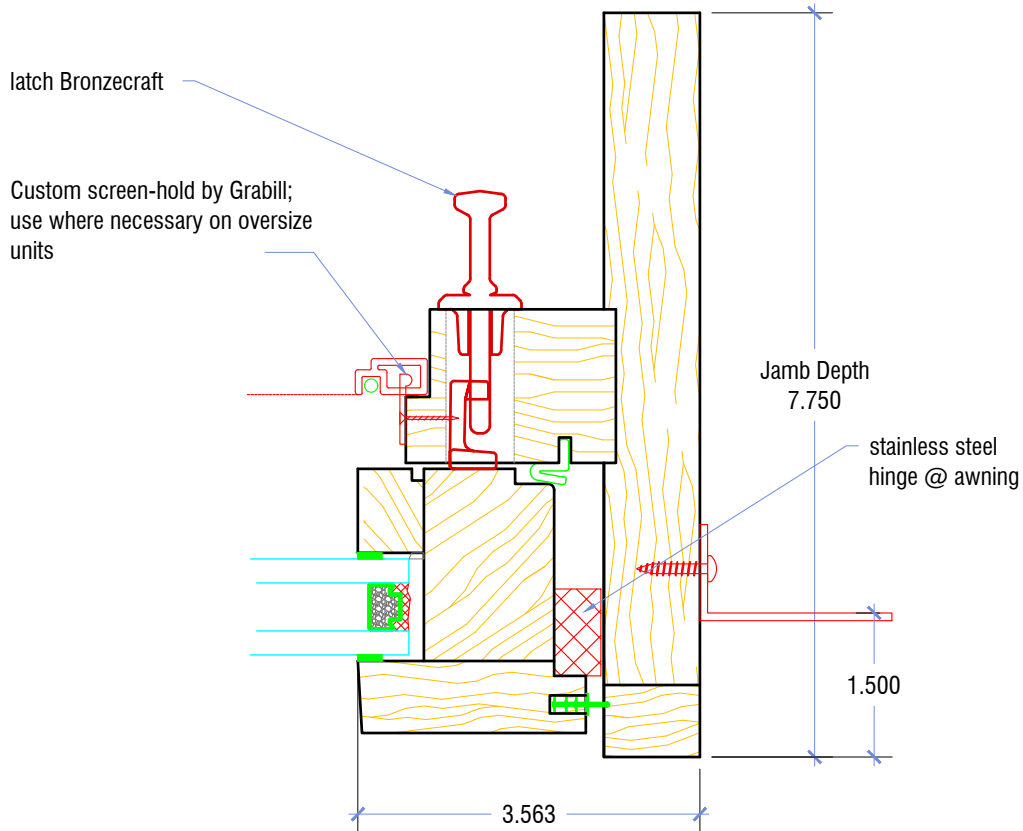




7463 Research Dr
Almont MI 48003
810-798-2817 ph
810-798-3814 fx

Custom Design • Restoration • Reproduction



Copyright 2017, Grabill Window & Doors, Inc.

$$6'' = 1'-0''$$

SOLID WOOD OUTSWING CASEMENT AT SIDE JAMB

Sales Binder

www.grabillwindow.com

Grabill Architectural Drawings contain confidential and proprietary information and is for the sole use of the intended recipient(s).

Any unauthorized review, use, disclosure or distribution of these drawing (including attachments) is strictly prohibited.