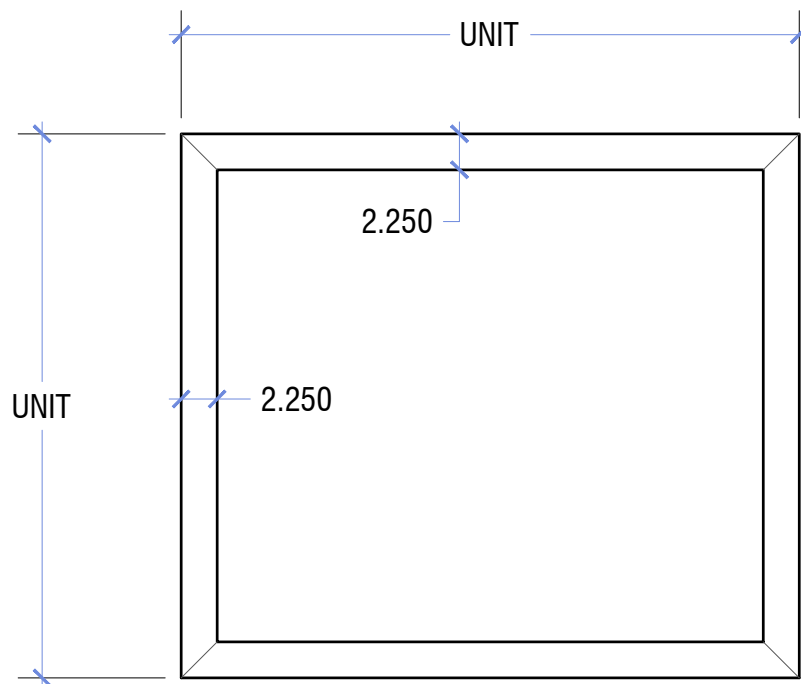




7463 Research Dr  
Almont MI 48003  
810-798-2817 ph  
810-798-3814 fx

Custom Design • Restoration • Reproduction



Copyright 2017, Grabill Window & Doors, Inc.

1" = 1'-0"

## 2.25" ALUMINUM CLAD DIRECT SET ELEVATION

*Grabill Architectural Drawings contain confidential and proprietary information and is for the sole use of the intended recipient(s).*

*Any unauthorized review, use, disclosure or distribution of these drawing (including attachments) is strictly prohibited.*

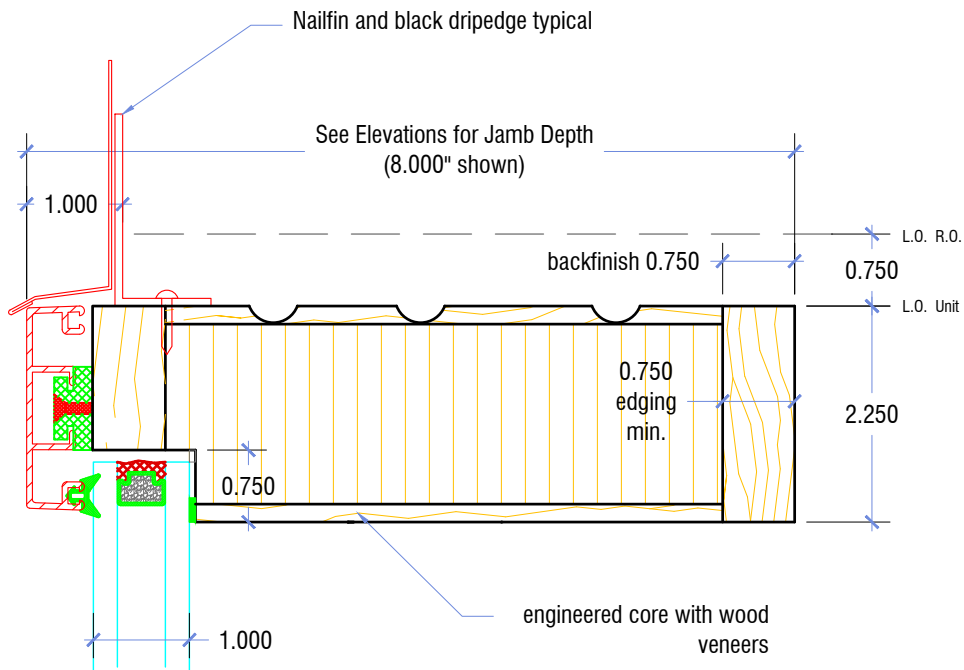
Sales Binder

[www.grabillwindow.com](http://www.grabillwindow.com)



7463 Research Dr  
Almont MI 48003  
810-798-2817 ph  
810-798-3814 fx

Custom Design • Restoration • Reproduction



Copyright 2017, Grabill Window & Doors, Inc.

6" = 1'-0"

## 2.25" ALUMINUM CLAD DIRECT SET HEAD

Sales Binder

[www.grabillwindow.com](http://www.grabillwindow.com)

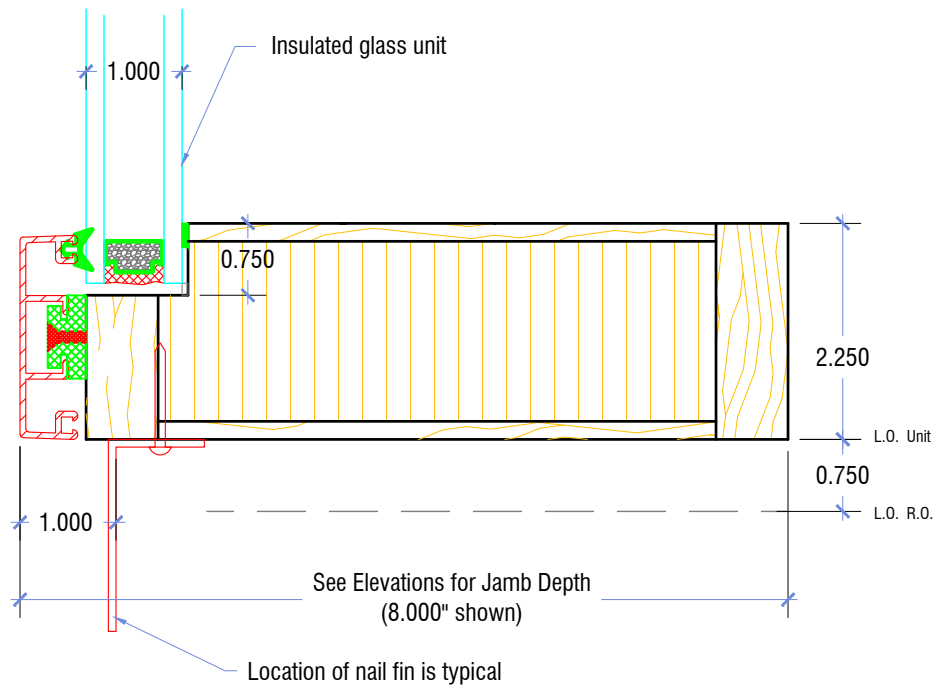
*Grabill Architectural Drawings contain confidential and proprietary information and is for the sole use of the intended recipient(s).*

*Any unauthorized review, use, disclosure or distribution of these drawing (including attachments) is strictly prohibited.*



7463 Research Dr  
 Almont MI 48003  
 810-798-2817 ph  
 810-798-3814 fx

Custom Design • Restoration • Reproduction



Copyright 2017, Grabill Window & Doors, Inc.

6" = 1'-0"

**2.25" ALUMINUM CLAD DIRECT SET SILL/JAMB**

Sales Binder

www.grabillwindow.com

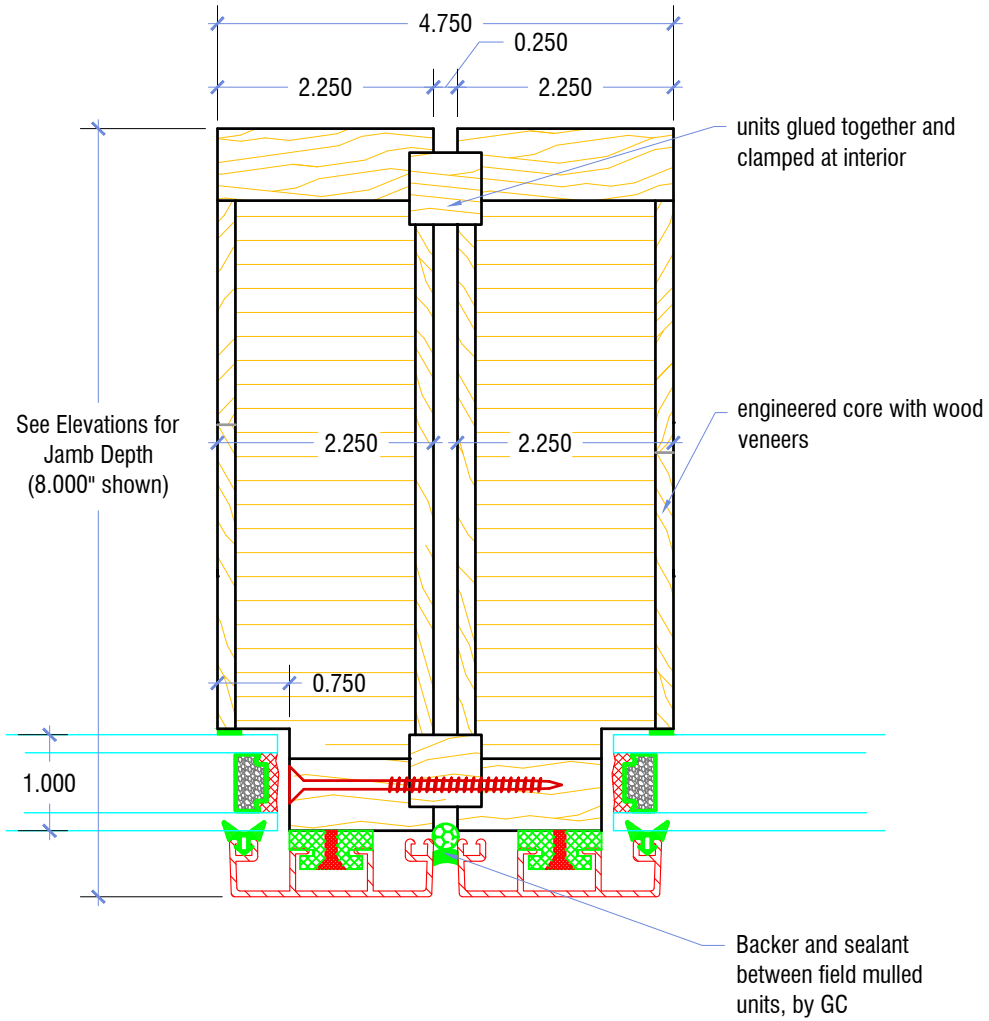
*Grabill Architectural Drawings contain confidential and proprietary information and is for the sole use of the intended recipient(s).*

*Any unauthorized review, use, disclosure or distribution of these drawing (including attachments) is strictly prohibited.*



7463 Research Dr  
 Almont MI 48003  
 810-798-2817 ph  
 810-798-3814 fx

Custom Design • Restoration • Reproduction



Copyright 2017, Grabill Window & Doors, Inc.

## 2.25" ALUMINUM CLAD DIRECT SET FIELD MULLION

Sales Binder

[www.grabillwindow.com](http://www.grabillwindow.com)

*Grabill Architectural Drawings contain confidential and proprietary information and is for the sole use of the intended recipient(s).*

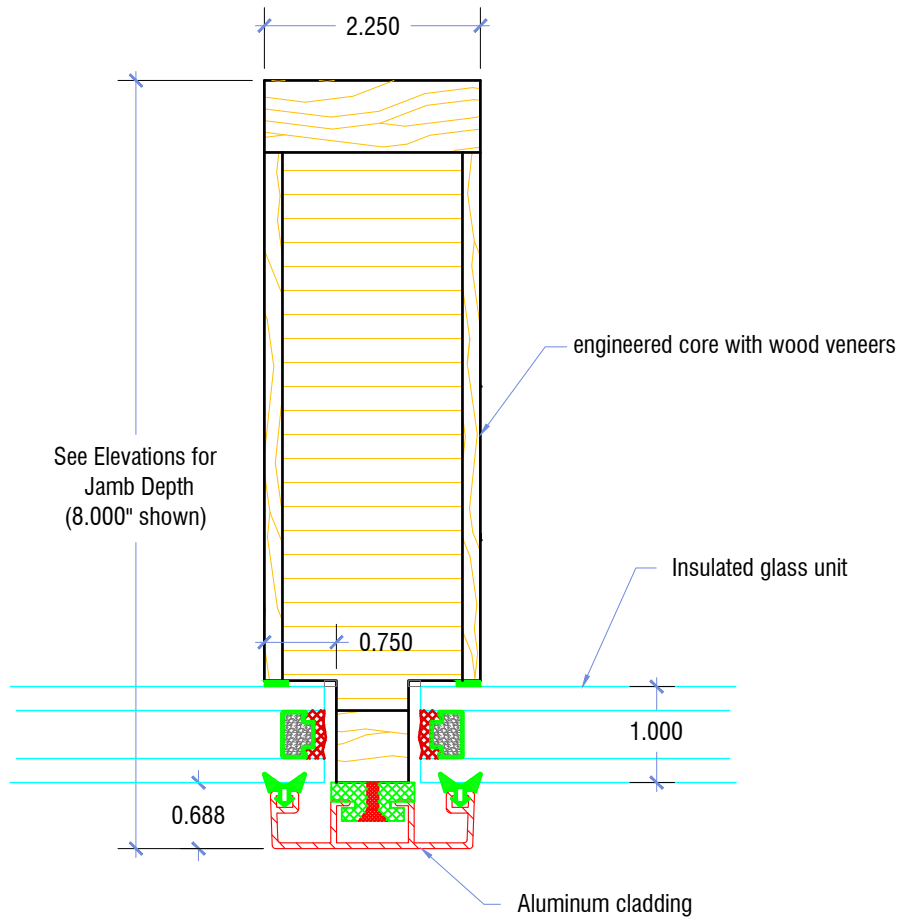
*Any unauthorized review, use, disclosure or distribution of these drawing (including attachments) is strictly prohibited.*



7463 Research Dr  
 Almont MI 48003  
 810-798-2817 ph  
 810-798-3814 fx

WINDOWS & DOORS

Custom Design • Restoration • Reproduction



Copyright 2017, Grabill Window & Doors, Inc.

6" = 1'-0"

2.25" ALUMINUM CLAD DIRECT SET COMMON MULLION

Sales Binder

www.grabillwindow.com

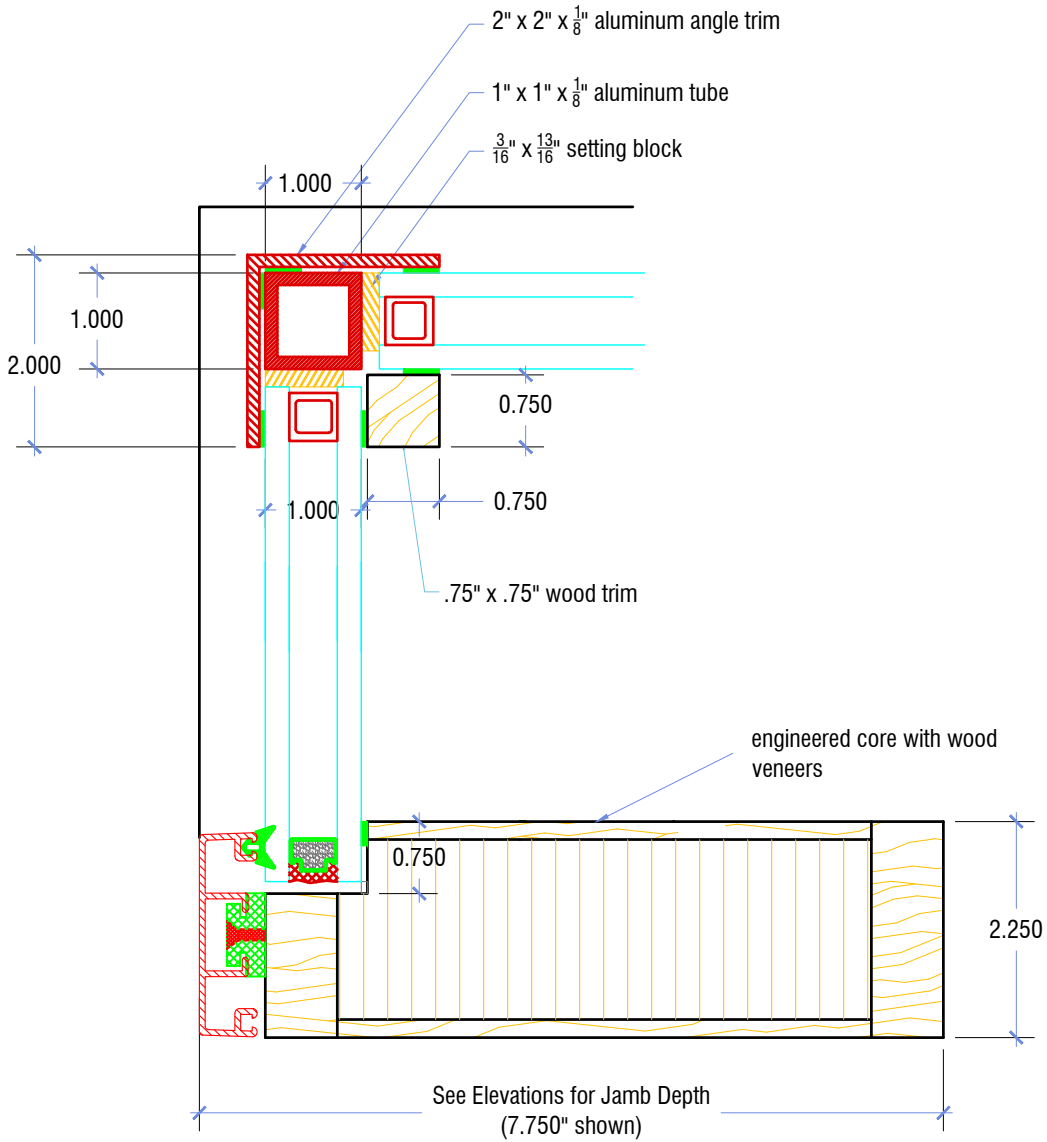
*Grabill Architectural Drawings contain confidential and proprietary information and is for the sole use of the intended recipient(s).*

*Any unauthorized review, use, disclosure or distribution of these drawing (including attachments) is strictly prohibited.*



7463 Research Dr  
 Almont MI 48003  
 810-798-2817 ph  
 810-798-3814 fx

Custom Design • Restoration • Reproduction



6" = 1'-0"

2.25" ALUMINUM CLAD MINIMAL CORNER DETAIL

Copyright 2017, Grabill Window & Doors, Inc.

Grabill Architectural Drawings contain confidential and proprietary information and is for the sole use of the intended recipient(s).

Any unauthorized review, use, disclosure or distribution of these drawing (including attachments) is strictly prohibited.

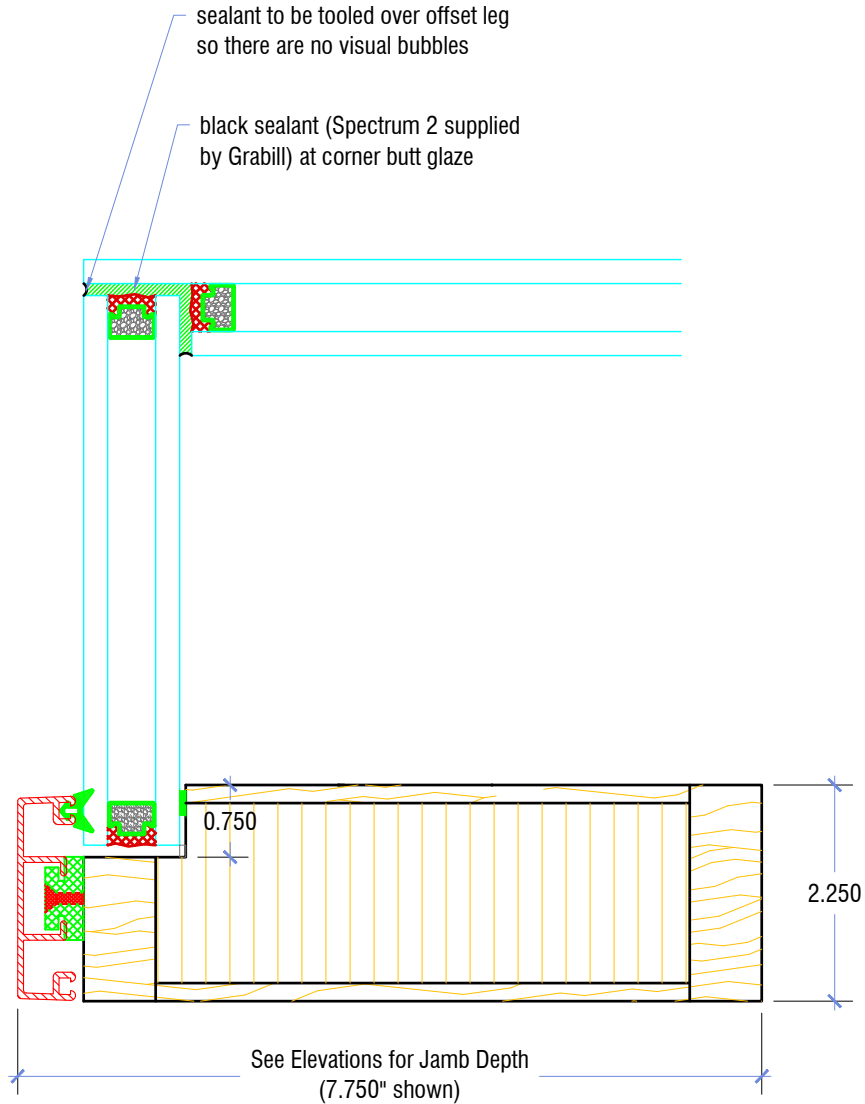
Sales Binder

www.grabillwindow.com



7463 Research Dr  
Almont MI 48003  
810-798-2817 ph  
810-798-3814 fx

Custom Design • Restoration • Reproduction



Copyright 2017, Grabill Window & Doors, Inc.

## 2.25" ALUMINUM CLAD OFFSET BUTT-GLAZED IG

Sales Binder

[www.grabillwindow.com](http://www.grabillwindow.com)

*Grabill Architectural Drawings contain confidential and proprietary information and is for the sole use of the intended recipient(s).*

*Any unauthorized review, use, disclosure or distribution of these drawing (including attachments) is strictly prohibited.*