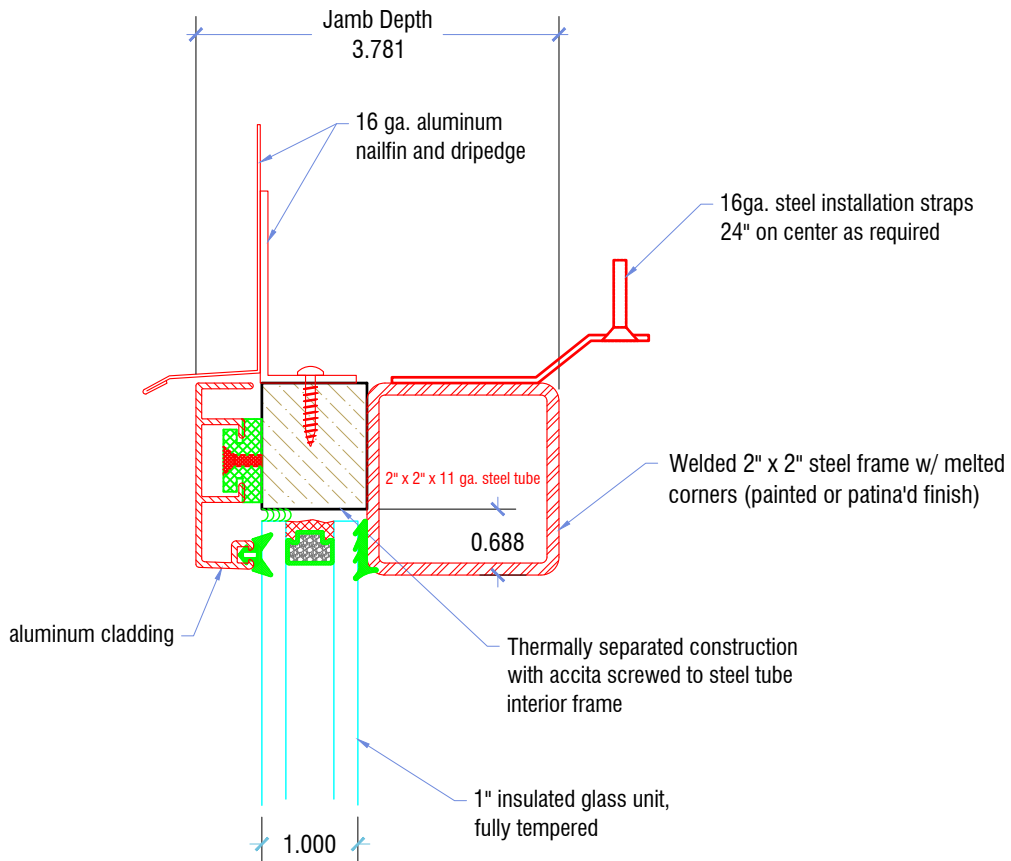




7463 Research Dr
 Almont MI 48003
 810-798-2817 ph
 810-798-3814 fx

Custom Design • Restoration • Reproduction



Copyright 2018, Grabill Window & Doors, Inc.

6" = 1'-0"

TYPICAL DIRECT SET AT HEAD

Sales Binder

www.grabillwindow.com

Grabill Architectural Drawings contain confidential and proprietary information and is for the sole use of the intended recipient(s).

Any unauthorized review, use, disclosure or distribution of these drawing (including attachments) is strictly prohibited.