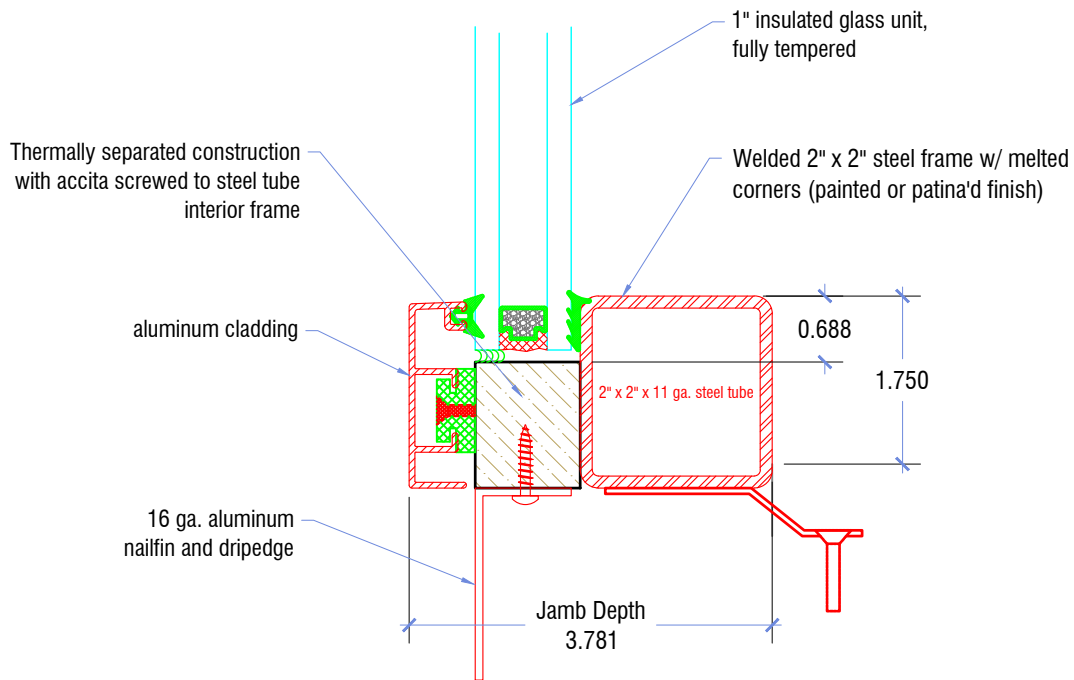




7463 Research Dr  
 Almont MI 48003  
 810-798-2817 ph  
 810-798-3814 fx

Custom Design • Restoration • Reproduction



Copyright 2018, Grabill Window & Doors, Inc.

6" = 1'-0"

TYPICAL DIRECT SET AT JAMB/SILL

*Grabill Architectural Drawings contain confidential and proprietary information and is for the sole use of the intended recipient(s).*

*Any unauthorized review, use, disclosure or distribution of these drawing (including attachments) is strictly prohibited.*

Sales Binder

www.grabillwindow.com